

1

2

3

4

5

6

A

B

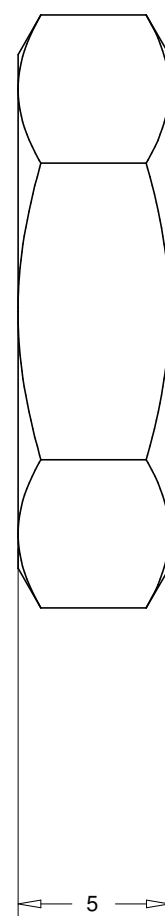
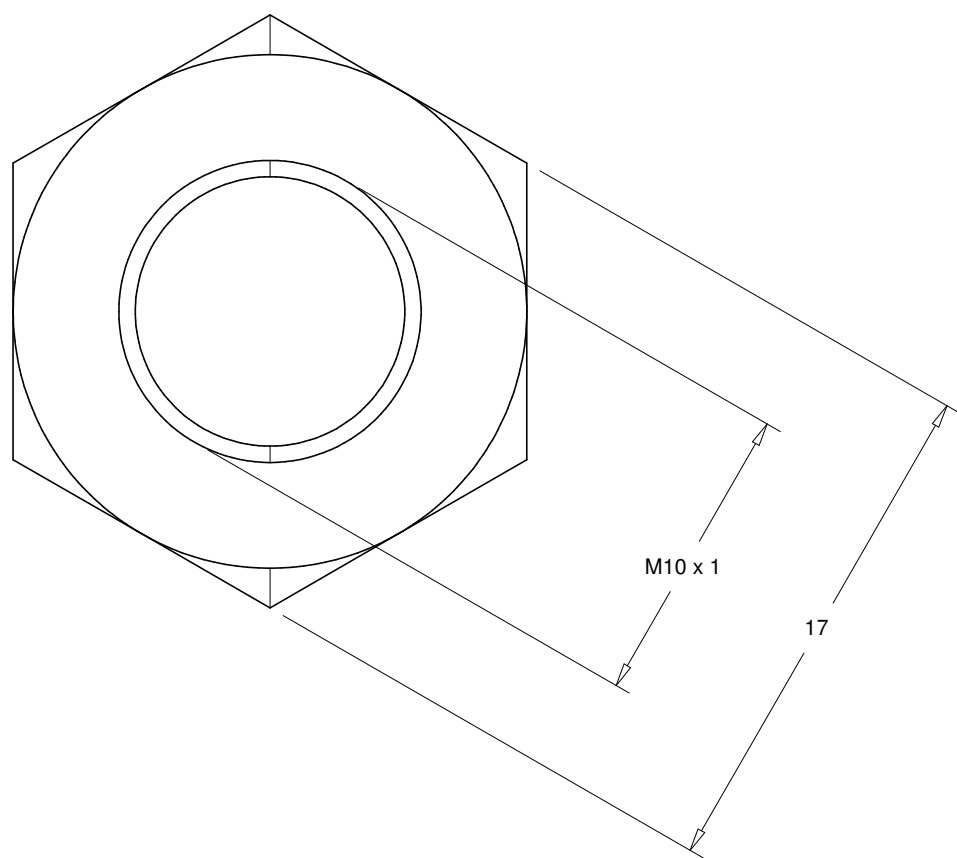
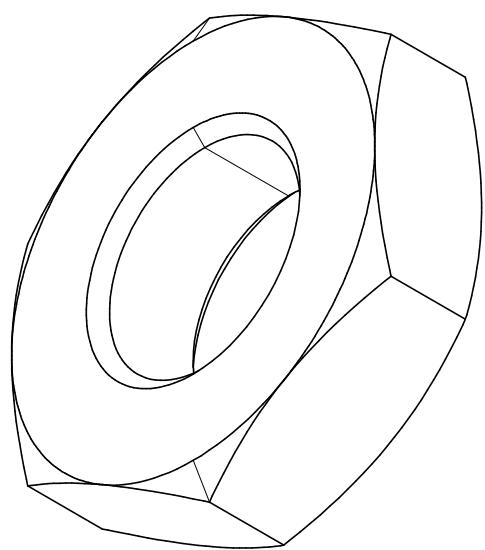
C

D

E

F

G



Drawn by: cvdw

Client:

Date:04/03/2015

Material: St37

Toleranties: DIN7168 mittel

Heading:

Lage Moer M10 x 1

Formaat:A4

Scale:

Dwg nr.: 150304/01

**CONSTRUCTION
VAN DE WALLE**

J.Parijslaan 30
B-9940 EVERGEM
Belgium

tel: +32.92.53.58.58

fax: +32.92.53.71.72

mailto:ghislain@vdwalle.com

H